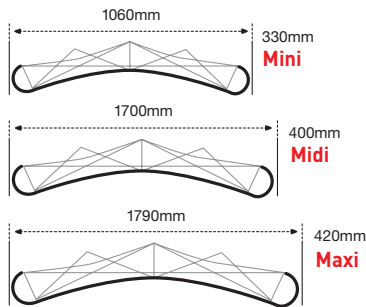


# Pop-up exhibition stands

Light weight and portable. Our range of pop-up exhibition stands are high quality and durable, with a unique cross-braced structure for rigidity.

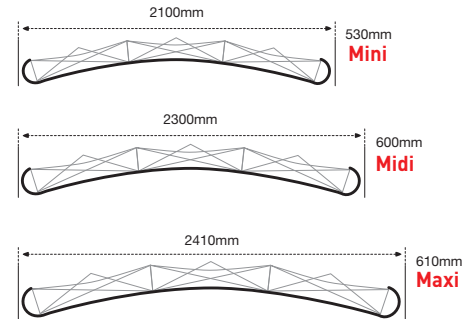
Available in a variety of sizes, Mini, Midi or Maxi, you can choose the most ideal size for your event or venue. Use our guide to help you measure which is the best choice for you.

## 2 panel Midi, Mini, Maxi



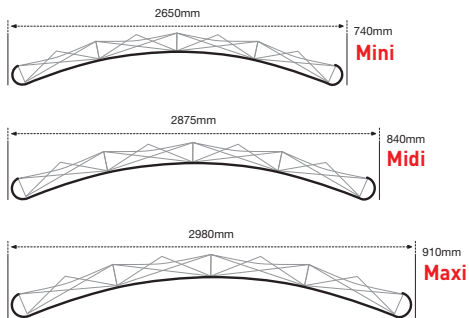
|             | panel height | panel width | end cap panel width |
|-------------|--------------|-------------|---------------------|
| <b>Mini</b> | 1942mm       | 626mm       | 402mm               |
| <b>Midi</b> | 2177mm       | 702mm       | 402mm               |
| <b>Maxi</b> | 2302mm       | 746mm       | 402mm               |

## 3 panel Midi, Mini, Maxi



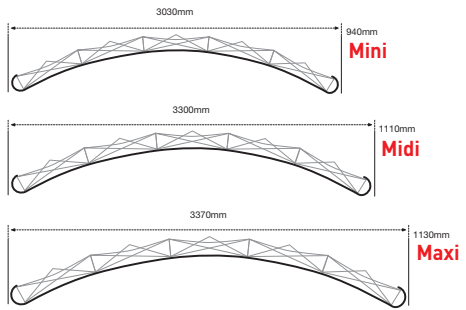
|             | panel height | panel width | end cap panel width |
|-------------|--------------|-------------|---------------------|
| <b>Mini</b> | 1942mm       | 626mm       | 402mm               |
| <b>Midi</b> | 2177mm       | 702mm       | 402mm               |
| <b>Maxi</b> | 2302mm       | 746mm       | 402mm               |

## 4 panel Midi, Mini, Maxi



|             | panel height | panel width | end cap panel width |
|-------------|--------------|-------------|---------------------|
| <b>Mini</b> | 1942mm       | 626mm       | 402mm               |
| <b>Midi</b> | 2177mm       | 702mm       | 402mm               |
| <b>Maxi</b> | 2302mm       | 746mm       | 402mm               |

## 5 panel Midi, Mini, Maxi



|             | panel height | panel width | end cap panel width |
|-------------|--------------|-------------|---------------------|
| <b>Mini</b> | 1942mm       | 626mm       | 402mm               |
| <b>Midi</b> | 2177mm       | 702mm       | 402mm               |
| <b>Maxi</b> | 2302mm       | 746mm       | 402mm               |



**C3imaging**  
graphic innovations

Promotion stands  
Size Guide

### C3Excaliber



Premium double sided rollup stand with photographic graphic panel

Available in 800mm, 1m and 1.2m wide

**Setup size** 2400 x 800mm

**Visual area** 2150 x 800mm

### C3Barracuda



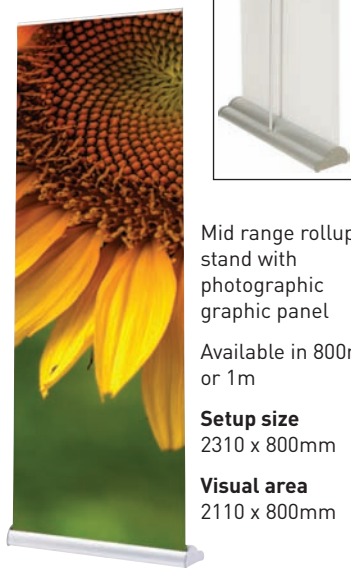
Premium single sided rollup stand with photographic graphic panel

Available in 600, 800, or 1m

**Setup size** 2400 x 800mm

**Visual area** 2150 x 800mm

### C3Orient



Mid range rollup stand with photographic graphic panel

Available in 800mm or 1m

**Setup size** 2310 x 800mm

**Visual area** 2110 x 800mm

## Outdoor promotional stands

### C3 A-board stand



A-frame aluminium stand for use with a vinyl banner

Available in 1m x 2500mm

**Setup size** 840 x 2340mm

Also available in 1250 x 3000mm

**Setup size** 1090 x 2840mm



### C3 Windmaster



A-frame aluminium stand for use with a vinyl banner

Available in 1m x 2500mm

**Setup size** 840 x 2340mm

Also available in 1250 x 3000mm

**Setup size** 1090 x 2840mm



### C3Wedge

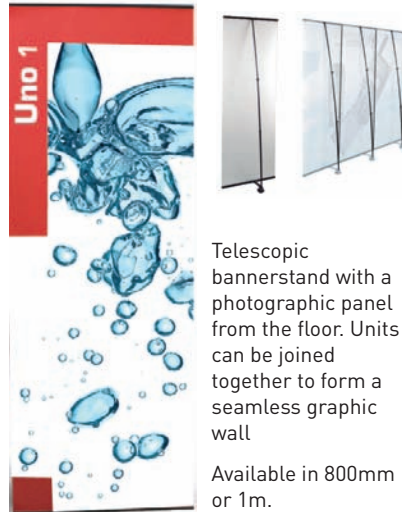


Designed to support media from 10mm to 35mm thick

Available in 300, 600, 800mm and 1m widths up to 2m high

\* 85mm at the base of the board is not visible

### C3Uno

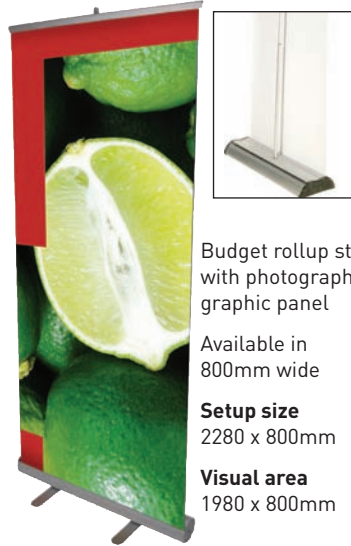


Telescopic bannerstand with a photographic panel from the floor. Units can be joined together to form a seamless graphic wall

Available in 800mm or 1m.

**Setup size** 2200 x 800mm

### C3'One Night Stand'



Budget rollup stand with photographic graphic panel

Available in 800mm wide

**Setup size** 2280 x 800mm

**Visual area** 1980 x 800mm

### C3 Monsoon



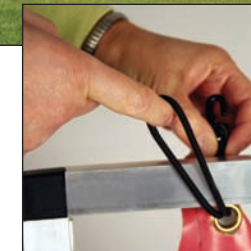
A-frame aluminium stand for use with a vinyl banner

Available in 1m x 2500mm

**Setup size** 840 x 2340mm

Also available in 1250 x 3000mm

**Setup size** 1090 x 2840mm



### C3 Blizzard



Ideal for outdoor promotions, with a lightweight vinyl banner.

Stylish hollow base for filling with water or sand

**Setup size** 800 x 2000mm

